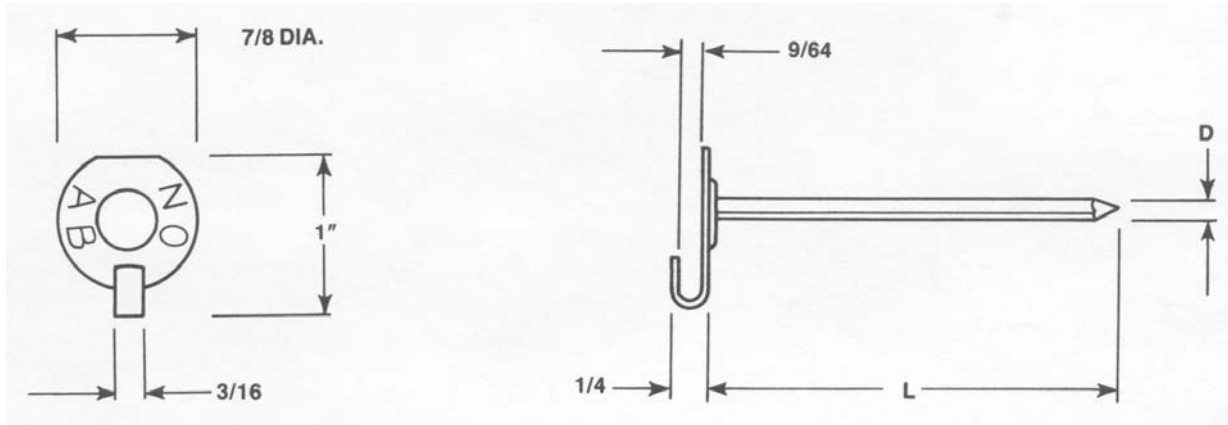


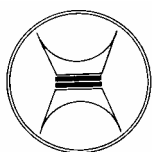
LACING PRODUCTS

LACING ANCHOR - STANDARD



SIZE	D	12 & 14 Gauge are standard. Other sizes available by special order.
LENGTH	L	2-1/2" & 4-1/2" are standard. Other lengths available by special order.

MATERIAL	LOW CARBON STEEL	STAINLESS STEEL
PLATING	CADMIUM STANDARD	N/A
WASHERS	Self-locking washers are available in a variety of sizes, shapes, and materials.	

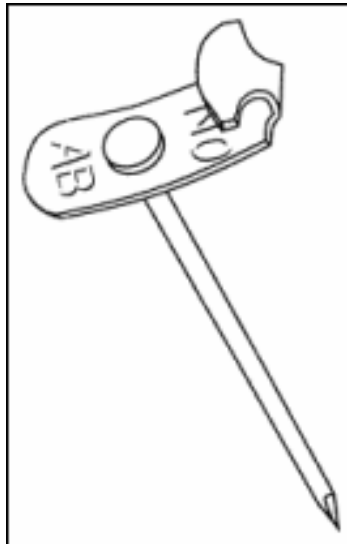


HANLON EQUIPMENT COMPANY
 800 TOUHY AVENUE
 ELK GROVE VILLAGE, ILLINOIS 60007
 PHONE: 847.228.1990 Toll Free: 1-800-HANLONS 426-5667
 FAX: 847.228.1995
 INTERNET: hanlonequipment.com



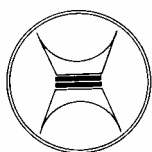
LACING PRODUCTS

LACING ANCHOR - SERIES 93



SIZE	D	12 & 14 Gauge are standard. Other sizes available by special order.
LENGTH	L	2-1/2" & 4-1/2" are standard. Other lengths available by special order.

MATERIAL	LOW CARBON STEEL	STAINLESS STEEL
PLATING	CADMIUM STANDARD	N/A
WASHERS	Self-locking washers are available in a variety of sizes, shapes, and materials.	

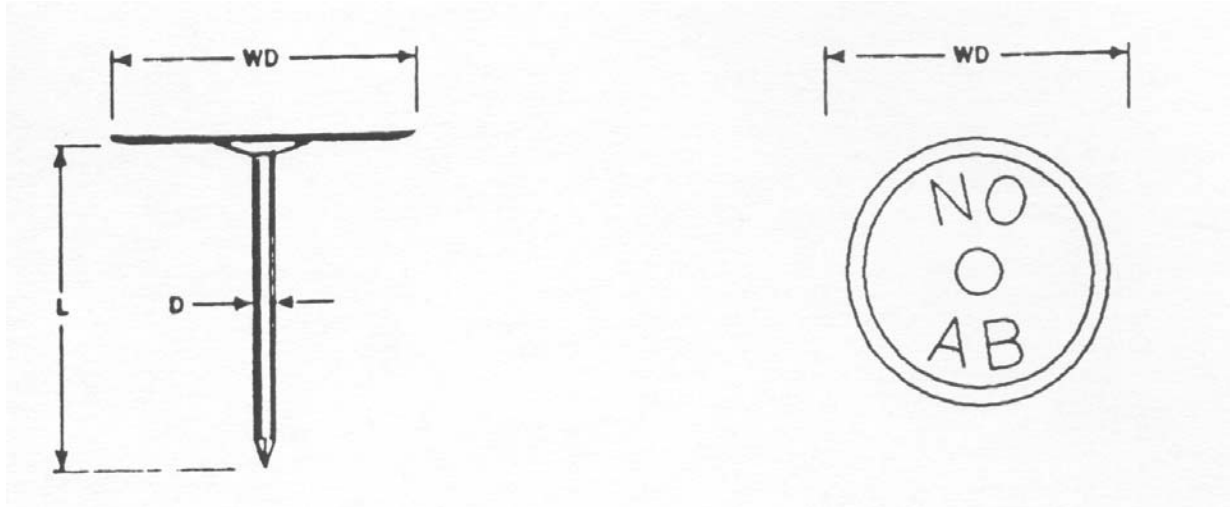


HANLON EQUIPMENT COMPANY
800 TOUHY AVENUE
ELK GROVE VILLAGE, ILLINOIS 60007
PHONE: 847.228.1990 Toll Free: 1-800-HANLONS 426-5667
FAX: 847.228.1995
INTERNET: hanlonequipment.com



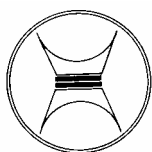
LACING PRODUCTS

QUILTING PIN



SIZE	D	12 & 14 Gauge are standard. Other sizes available by special order.
SIZE	WD	1.187" (1-3/16") diameter washer is standard.
LENGTH	L	2-1/2" & 4-1/2" are standard. Other lengths available by special order.

MATERIAL	LOW CARBON STEEL	STAINLESS STEEL
PLATING	Mild steel pin is galvanized. Mild steel washer is galvanized.	N/A
WASHERS	Self-locking washers are available in a variety of sizes, shapes, and materials.	

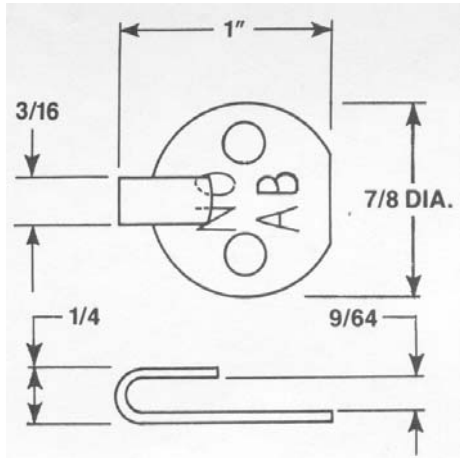


HANLON EQUIPMENT COMPANY
 800 TOUHY AVENUE
 ELK GROVE VILLAGE, ILLINOIS 60007
 PHONE: 847.228.1990 Toll Free: 1-800-HANLONS 426-5667
 FAX: 847.228.1995
 INTERNET: hanlonequipment.com



LACING PRODUCTS

LACING ACCESSORIES



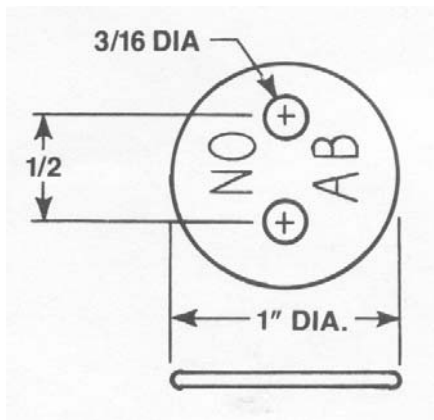
LACING HOOK

SIZE: One size as shown

MATERIAL: Mild Steel (cadmium plated) or Stainless Steel

NO-AB: Furnished stamped "NO AB" to indicate non-asbestos material.

ORDER CODE: LA HOOK



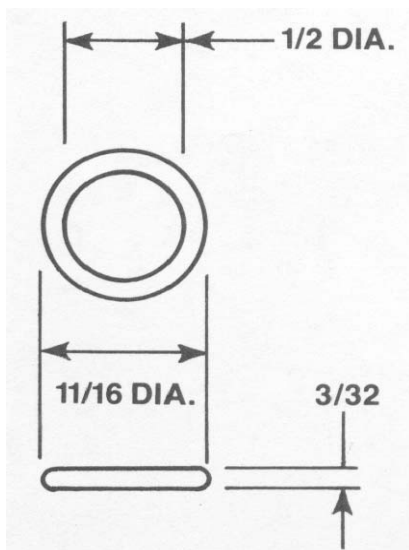
L100 LACING WASHERS

SIZE: One size as shown

MATERIAL: Stainless Steel

NO-AB: Furnished stamped "NO AB" to indicate non-asbestos material.

ORDER CODE: LA WA

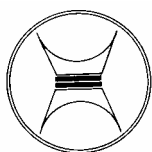


LACING RING

SIZE: One size as shown.

Material: Zinc alloy, bright Zinc Plated.

ORDER CODE: LA RING



HANLON EQUIPMENT COMPANY
800 TOUHY AVENUE
ELK GROVE VILLAGE, ILLINOIS 60007
PHONE: 847.228.1990 Toll Free: 1-800-HANLONS 426-5667
FAX: 847.228.1995
INTERNET: hanlonequipment.com

