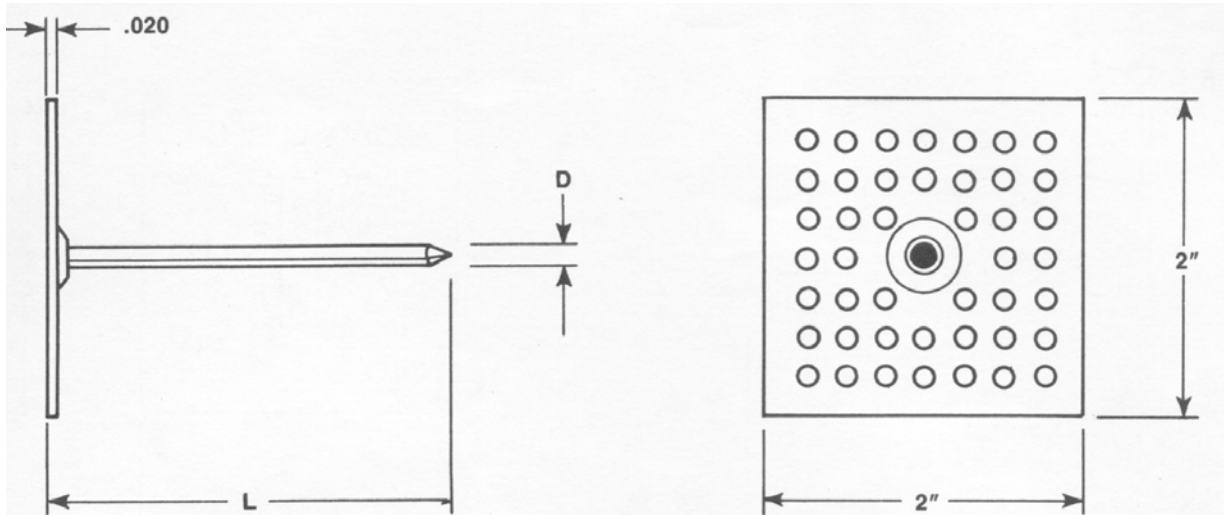


INSULATION ANCHORS

INSULATION HANGER



APPLICATION	These anchors are typically applied with Hanlon mastic adhesive. For use on porous surfaces like concrete or wood but can be applied to sheet metal. Can also be fastener to sheet metal with 8 x 1/2 screws or concrete with powder actuated fasteners.	
SIZE	D	12 GAUGE is standard. Other sizes available by special order.
LENGTH	L	1", 1-5/8", 2", 2-1/2", 4-1/2", 5-1/2", 6-1/2", 8", 9", 12". Other lengths available by special order. 18" maximum length.

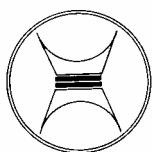
	PIN	PIN
MATERIAL	ALUMINUM 5000 Series	LOW CARBON STEEL
PLATING	N/A	Galvanized coating is standard. Copper coating also available.
WASHERS	Self locking washers are available in a variety of sizes, shapes, and materials. SEE WASHERS	

	PLATE
MATERIAL	LOW CARBON STEEL
PLATING	GALVANIZED

OTHER MATERIALS.

Available with aluminum pin. Required in applications where the pin must be bent over after washer is applied.

Also available by special order in all Stainless Steel or all Aluminum.

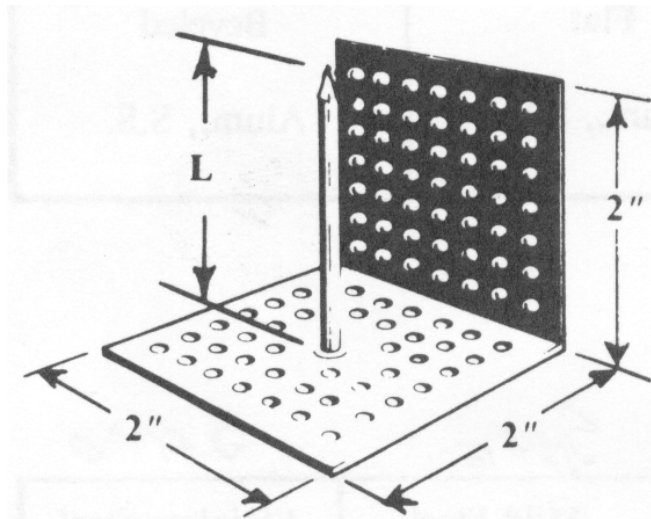


HANLON EQUIPMENT COMPANY
 800 TOUHY AVENUE
 ELK GROVE VILLAGE, ILLINOIS 60007
 PHONE: 847.228.1990 Toll Free: 1-800-HANLONS 426-5667
 FAX: 847.228.1995
 INTERNET: hanlonequipment.com



INSULATION ANCHORS

90° INSULATION HANGER

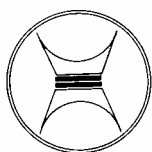


SIZE	D	12 GAUGE is standard. Other sizes available by special order.
LENGTH	L	2-1/2", 3-1/2", and 4-1/2" are standard.

	PLATE	PIN
MATERIAL	LOW CARBON STEEL	LOW CARBON STEEL
PLATING	GALVANIZED	Galvanized coating is standard. Copper coating also available.
WASHERS	Self locking washers are available in a variety of sizes, shapes, and materials. SEE WASHERS	

OTHER MATERIALS.

Available with aluminum pin. Required in applications where the pin must be bent over after washer is applied.

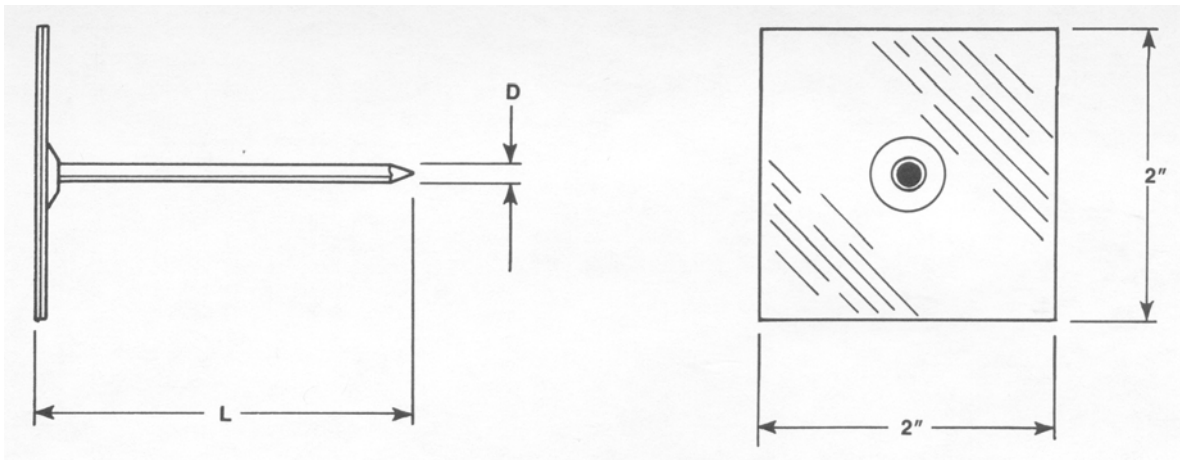


HANLON EQUIPMENT COMPANY
 800 TOUHY AVENUE
 ELK GROVE VILLAGE, ILLINOIS 60007
 PHONE: 847.228.1990 Toll Free: 1-800-HANLONS 426-5667
 FAX: 847.228.1995
 INTERNET: hanlonequipment.com



INSULATION ANCHORS

SELF STICK - PEEL & PRESS



APPLICATION	These anchors have a self-adhesive tape with a release liner. For use on non-porous surfaces like sheet metal or glass. Surface must be clean.	
SIZE	D	12 GAUGE is standard. Other sizes available by special order.
LENGTH	L	3/4", 1", 1-1/4", 1-5/8", 2", 2-1/2", 4-1/2", 5-1/2", 6-1/2", 8", 9", 12". Other lengths available by special order. 18" maximum length.

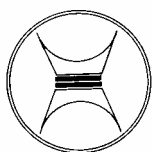
	PIN	PIN
MATERIAL	ALUMINUM 5000 Series	LOW CARBON STEEL
PLATING	NA	Galvanized coating is standard. Copper coating also available.
WASHERS	Self locking washers are available in a variety of sizes, shapes, and materials. SEE WASHERS	

	PLATE
MATERIAL	LOW CARBON STEEL
PLATING	GALVANIZED

OTHER MATERIALS.

Available with aluminum pin. Required in applications where the pin must be bent over after washer is applied.

Also available by special order in all Stainless Steel or all Aluminum.

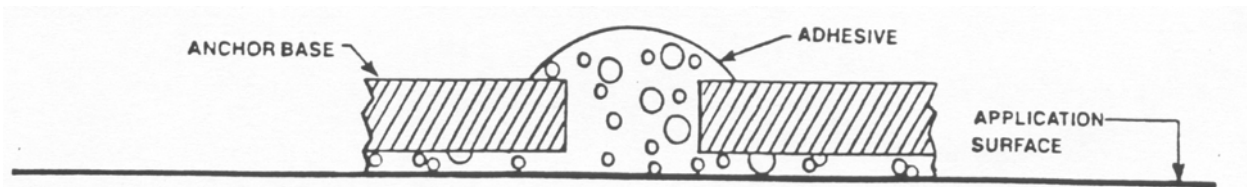
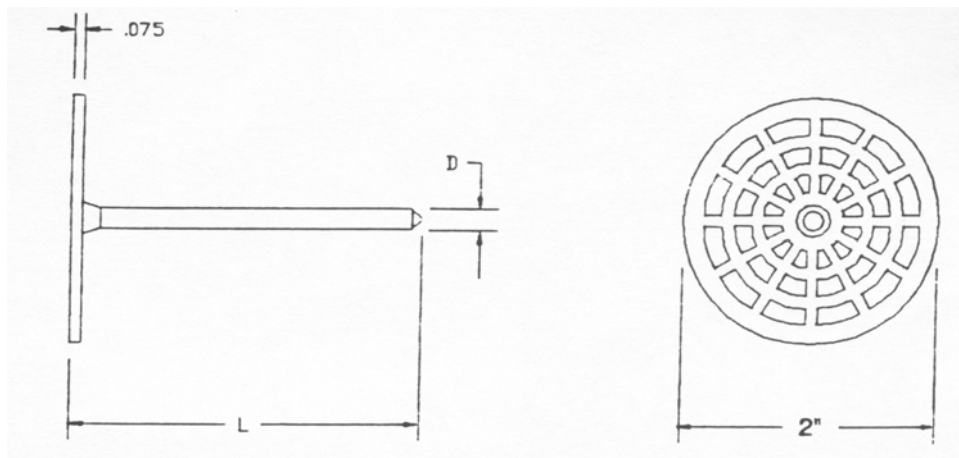


HANLON EQUIPMENT COMPANY
 800 TOUHY AVENUE
 ELK GROVE VILLAGE, ILLINOIS 60007
 PHONE: 847.228.1990 Toll Free: 1-800-HANLONS 426-5667
 FAX: 847.228.1995
 INTERNET: hanlonequipment.com



INSULATION ANCHORS

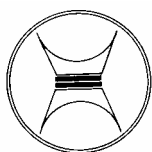
NYLON



FEATURES:

- Will not conduct heat or cold.
- Can be used for insulation up to 2" thick.
- Has a base area 14% Larger than similar nylon anchors with a round base.
- Has 21% more perforated area for glue extrusion than similar nylon anchors.
- Uses 30% less adhesive than metal insul-anchors with a 2" round base.
- Will not conduct heat or cold.
- Lighter in weight than metal anchors for ease of handling.

SIZE	D	5/32" Standard
LENGTH	L	2-1/2" standard
MATERIAL	One-piece insul-anchor of molded nylon.	
WASHERS	The self-locking washers for use with nylon anchor is K120 x 5/32" hole	

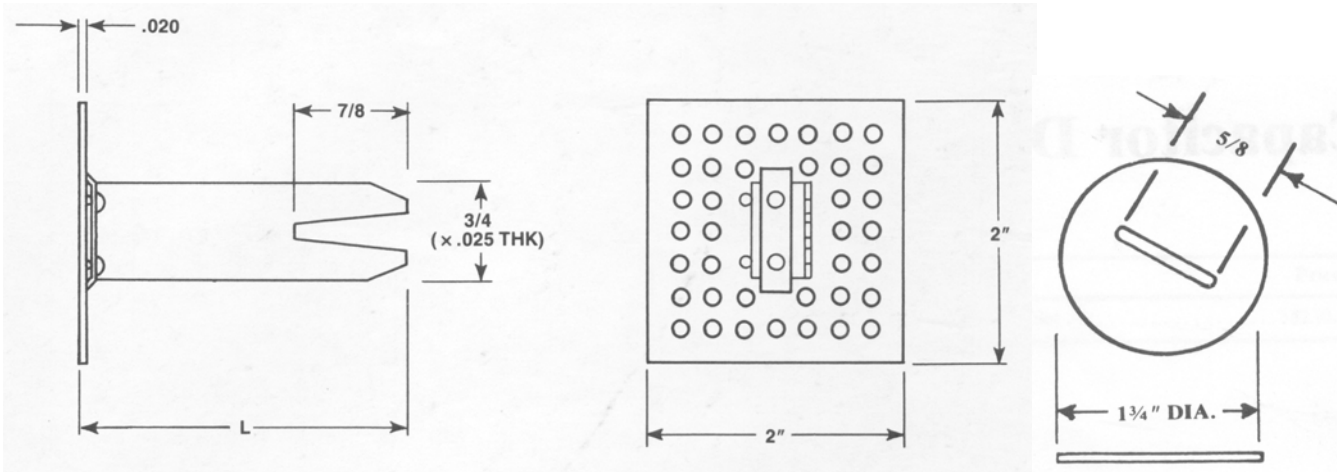


HANLON EQUIPMENT COMPANY
800 TOUHY AVENUE
ELK GROVE VILLAGE, ILLINOIS 60007
PHONE: 847.228.1990 Toll Free: 1-800-HANLONS 426-5667
FAX: 847.228.1995
INTERNET: hanlonequipment.com



INSULATION ANCHORS

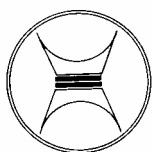
PRONG HANGER & WASHER



APPLICATION	These anchors are typically applied with Hanlon mastic adhesive. For use on porous surfaces like concrete or wood but can be applied to metal. Can also be fastener to sheet metal with 8 x 1/2 screws or concrete with powder actuated fasteners.	
LENGTH	L	1-1/16, 1-7/8, 2-7/8, 3-7/8, 4-7/8, 6-7/8. Other sizes available by special order.

	PLATE	PRONG
MATERIAL	LOW CARBON STEEL	LOW CARBON STEEL
PLATING	GALVANIZED	GALVANIZED
WASHERS	PRONG WASHER	

OTHER MATERIALS: Available by special request.

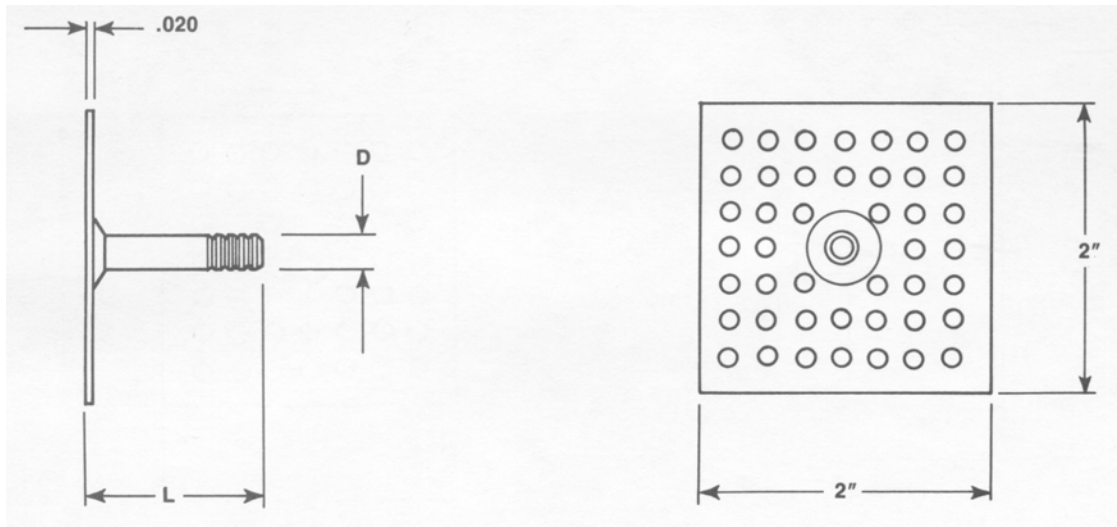


HANLON EQUIPMENT COMPANY
 800 TOUHY AVENUE
 ELK GROVE VILLAGE, ILLINOIS 60007
 PHONE: 847.228.1990 Toll Free: 1-800-HANLONS 426-5667
 FAX: 847.228.1995
 INTERNET: hanlonequipment.com



INSULATION ANCHORS

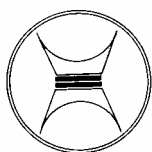
ANNULAR RING ANCHOR - NAVY HANGER



SIZE	D	3/16 NOMINAL. Actual ring diameter .175"
LENGTH	L	7/8, 1-7/8, 2-2/8, and 3-7/8 are standard. Other lengths by special order.

	PLATE	BOLT
MATERIAL	LOW CARBON STEEL	LOW CARBON STEEL
PLATING	GALVANIZED	COPPER PLATING STANDARD
RETAINING CAP	The cap for use with this anchor is the "Mushroom Cap" Order code: MCAL SEE WASHERS	

OTHER MATERIALS: Available by special order only.

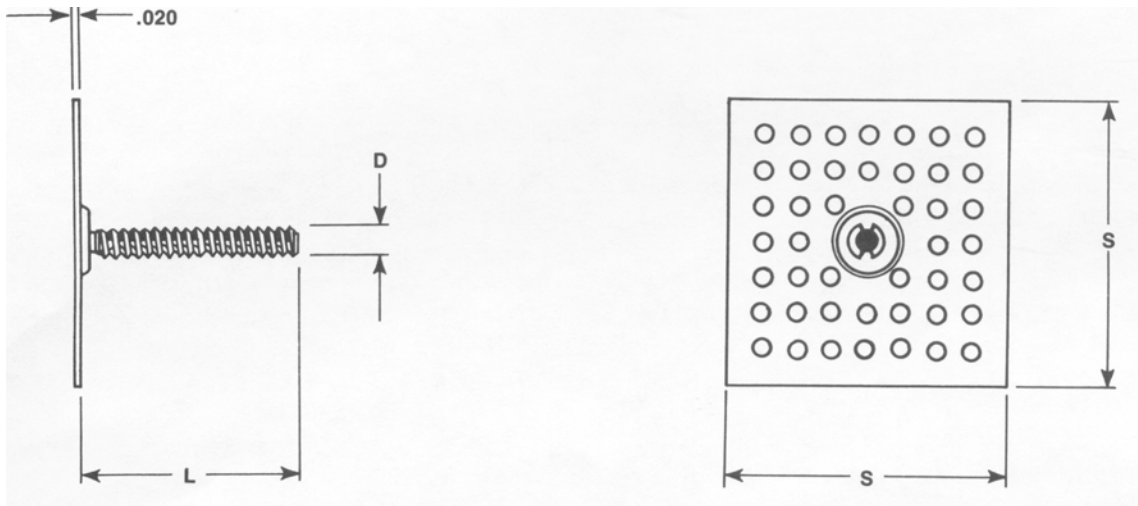


HANLON EQUIPMENT COMPANY
 800 TOUHY AVENUE
 ELK GROVE VILLAGE, ILLINOIS 60007
 PHONE: 847.228.1990 Toll Free: 1-800-HANLONS 426-5667
 FAX: 847.228.1995
 INTERNET: hanlonequipment.com



INSULATION ANCHORS

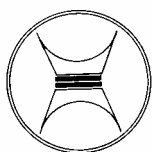
ANNULAR RING ANCHOR - NAVY HANGER



SIZE	D	#10-24 is standard. Other sizes available by special order
LENGTH	L	1/4 - 3" long, in 1/4" increments is standard. Other lengths are available by special order.

	PLATE	BOLT
MATERIAL	LOW CARBON STEEL	LOW CARBON STEEL
PLATING	GALVANIZED	COPPER PLATING STANDARD
RETAINING CAP	The cap for use with this anchor is the "Mushroom Cap" Order code: MCAL SEE WASHERS	

OTHER MATERIALS: Available by special order only.

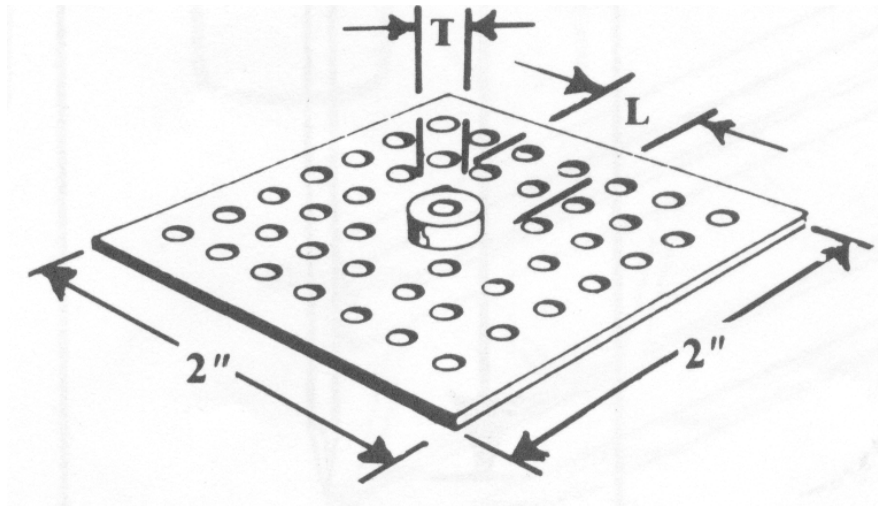


HANLON EQUIPMENT COMPANY
 800 TOUHY AVENUE
 ELK GROVE VILLAGE, ILLINOIS 60007
 PHONE: 847.228.1990 Toll Free: 1-800-HANLONS 426-5667
 FAX: 847.228.1995
 INTERNET: hanlonequipment.com



INSULATION ANCHORS

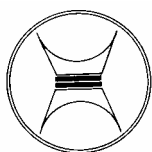
HANGER SUPPORT



SIZE	T	#10-24 OR 1/4-20
	L	1/4"

	PLATE	BOLT
MATERIAL	LOW CARBON STEEL	LOW CARBON STEEL
PLATING	GALVANIZED	COPPER PLATING STANDARD

OTHER MATERIALS: Available by special order only.

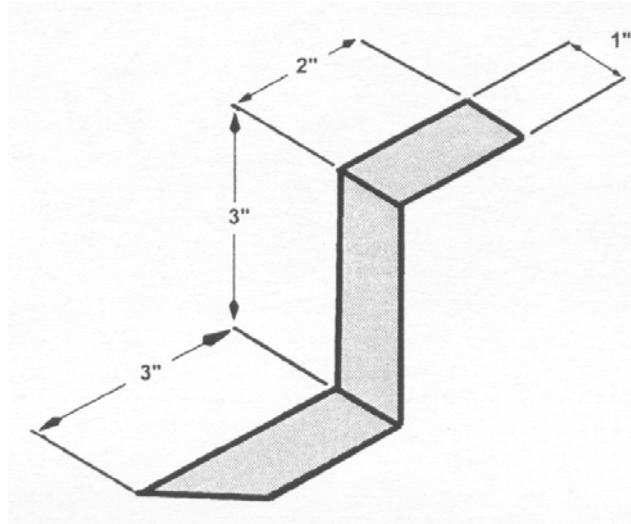


HANLON EQUIPMENT COMPANY
800 TOUHY AVENUE
ELK GROVE VILLAGE, ILLINOIS 60007
PHONE: 847.228.1990 Toll Free: 1-800-HANLONS 426-5667
FAX: 847.228.1995
INTERNET: hanlonequipment.com

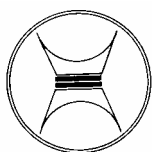


INSULATION ANCHORS

SAFING "Z" CLIP



APPLICATION	For use in installation of fire barrier and sound barrier Safing Insulations. This non-welded fastener is used as a support bracket to impale and secure Insulating materials between floor slab and span-drels at floor edge or anywhere that support for material is required.
SIZE	2" X 3" X 3" X 1" standard size
MATERIAL	20 Gauge, Mild steel
PLATING	Galvanized is standard
STANDARD PACKAGING	500 Per carton - 43 Pounds

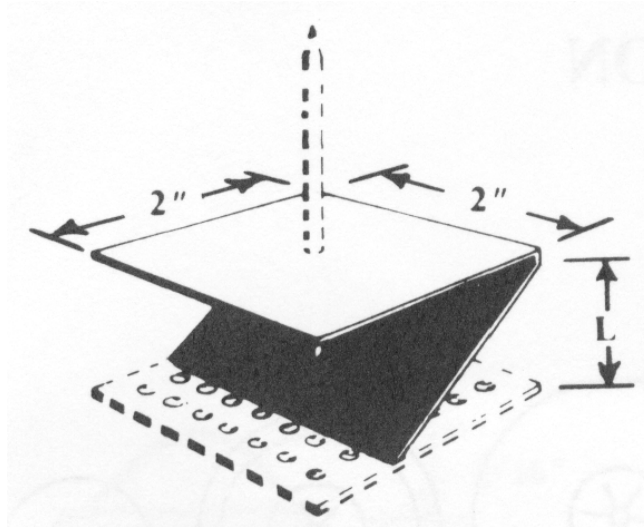


HANLON EQUIPMENT COMPANY
800 TOUHY AVENUE
ELK GROVE VILLAGE, ILLINOIS 60007
PHONE: 847.228.1990 Toll Free: 1-800-HANLONS 426-5667
FAX: 847.228.1995
INTERNET: hanlonequipment.com

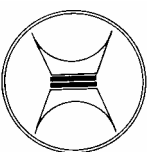


INSULATION ANCHORS

CLUTCH CLIP



SIZE "L"	1", 2", and 3".
MATERIAL	Mild steel
PLATING	Galvanized is standard

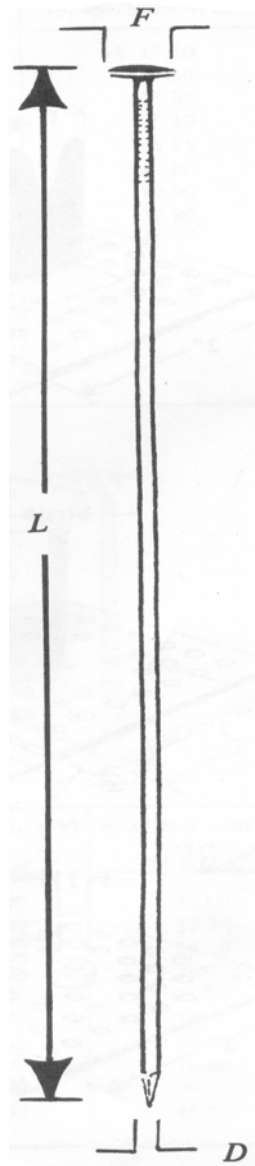


HANLON EQUIPMENT COMPANY
800 TOUHY AVENUE
ELK GROVE VILLAGE, ILLINOIS 60007
PHONE: 847.228.1990 Toll Free: 1-800-HANLONS 426-5667
FAX: 847.228.1995
INTERNET: hanlonequipment.com

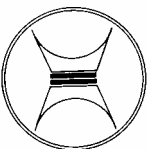


INSULATION ANCHORS

DROP / DECK NAIL



SIZE "L"	4" - 12"
SIZE "F"	5/16"
MATERIAL	Mild Steel or Stainless Steel
PLATING	Galvanized is standard on Mild Steel. Copper coating also available.



HANLON EQUIPMENT COMPANY
800 TOUHY AVENUE
ELK GROVE VILLAGE, ILLINOIS 60007
PHONE: 847.228.1990 Toll Free: 1-800-HANLONS 426-5667
FAX: 847.228.1995
INTERNET: hanlonequipment.com



INSULATION ANCHORS

ANCHOR ADHESIVE MIDWEST IHA-170

SPECIAL CHARACTERISTICS:

- Non-Slip Formula - Immediate Grab
- Performs in Temperatures Up to 250° F.
- Provides Excellent Water/Mildew Resistance

DESCRIPTION:

Insulation Hanger Adhesive is a high-strength, heavy-bodied, neoprene rubber adhesive, specifically formulated for adhering anchors for hanging insulation.

USES:

Insulation hanger adhesive bonds metal and nylon anchors to metal, concrete or masonry surfaces.

SURFACE PREPARATION:

Surfaces should be clean, dry and free of oil, grease, frost or any other foreign matter which will impair adhesion. Painted surfaces should be roughened. Clean all metal surfaces with acetone or other degreaser, exercising safe practices. Some protective coatings are not compatible with IHA-170; therefore, making a test bond before proceeding with application. Store adhesive at room temperature for at least 24 hours prior to use.

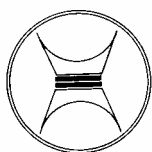
APPLICATION:

Do not apply at temperatures below 30°F. Prepare and install one anchor at a time. Apply a dab (the size of a small walnut) of IHA_170 to the anchor base with a putty knife and immediately (max. open time is 10 minutes) press anchor in place, with a slight twisting motion. For proper adhesion, insure that the film of adhesive covering the anchor base (after the anchor has been firmly pressed into place) is approximately 1/16" thick and protruding through the perforated base plate. Applications will be dry within approximately 24-72 hours, depending on the atmospheric conditions. Do not apply load until application is completely dry.

COVERAGE:

Approximately 500-1000 anchors per gallon.

**FOR PHYSICAL PROPERTIES AND TECHNICAL INFORMATION OR MSDS
CONTACT OUR OFFICE.**



HANLON EQUIPMENT COMPANY
800 TOUHY AVENUE
ELK GROVE VILLAGE, ILLINOIS 60007
PHONE: 847.228.1990 Toll Free: 1-800-HANLONS 426-5667
FAX: 847.228.1995
INTERNET: hanlonequipment.com

